

PERFORMANCE DATA

PAVER (STAGE V)

BF 300 C-5



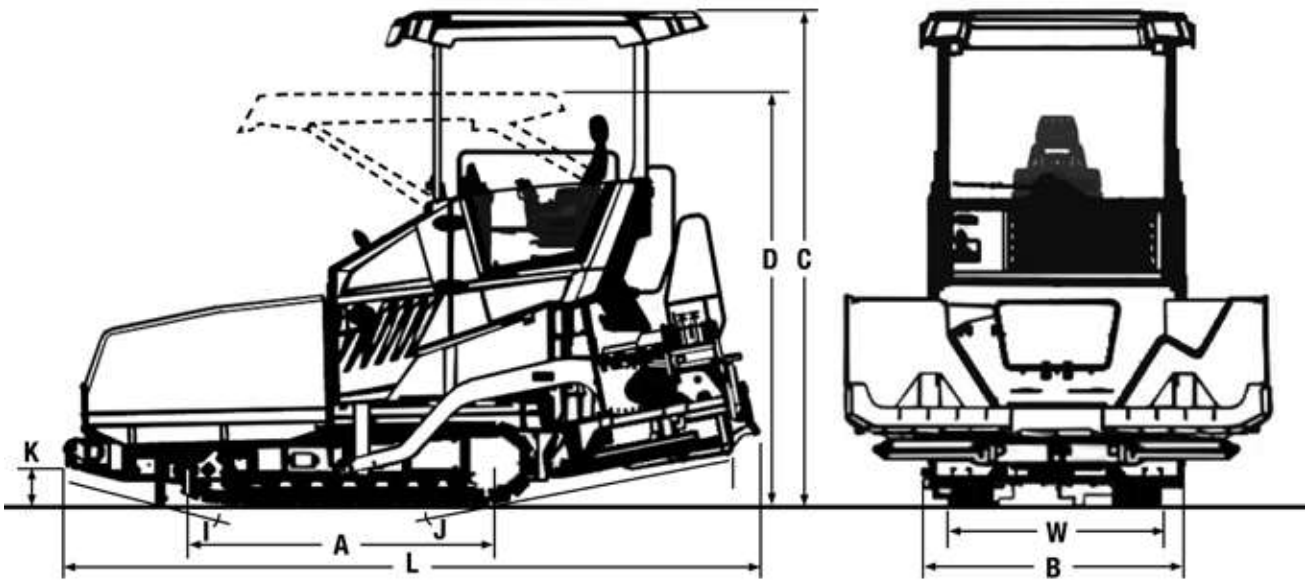
Greatest durability



Shorter set-up times



Exemplary efficiency



Dimensions in mm

	A	B	C	D	F	I	J	K	L	W
BF 300 C-5	2090	1922	3596	2998	1940	14°	14°	260	5048	1460



myCockpit - Easy and intuitive machine operation



EASY-PAVE - simplified and intuitive side control panel concept



Save up to 17 % fuel – demand-driven hydraulics – with BOMAG ECOMODE.



Heats up nearly 60 % quicker – unique MAGMALIFE heating system.

Technical Data

BOMAG BF 300 C-5

Weight CECE

With S340-5 V screed / S340-5 TV screed kg 10050 / 10200

Dimensions

Transport length mm 5050
Transport width mm 1925
Transport height mm 3000

Travel characteristics

Travel speed km/h 0 - 4,5
Working speed m/min 0 - 32 variable

Drive

Engine manufacturer Deutz
Type TCD 2,9 L04
Emission stage Stage V
Cooling liquid
Number of cylinders 4
Rated power kW / HP 55 / 74
Rotary speed m/min⁻¹ 2200

Crawler assembly

Total length mm 2090
Width mm 260

Hopper

Capacity m³ 4,8
Width (wings open) mm 3080
Width (wings closed) mm 1730
Length mm 1760
Filling height (middle) mm 538

Conveyor

Number 2
Rotary speed m/min⁻¹ 55
Individual control Standard
Reversing operation Standard

Auger

Number mm 2
Auger diameter mm 280
Rotary speed m/min⁻¹ 100
Reversing operation Standard

Screed

S 340-5
Basic width retracted mm 1700
Basic width extended mm 3400
Min. width with reduction skids mm 700
Mat thickness mm 250
Screed plate depth mm 330
Screed plate thickness mm 10
Heating electric
Crown % -2,5 ... +4,5
Tamper frequency Hz N.A. / 10-30
Vibration frequency Hz 15-50 / 15-50
Basic weight kg 1550 / 1650
Max. working width mm 5000

Filling capacities

Fuel l 110
Hydraulic oil l 74

Technical modifications reserved. Machines may be shown with options.
The actual machine weight depends on the respective configuration.

Standard Equipment

Operator compartment

- SIDEVIEW
- Driver's seat: with swivel and side-shift
- Dashboard protection
- Hydraulic hinged roof
- EASY-PAVE operating concept
- Intuitive machine control through touch display or encoder
- Electronic machine management

Tractor

- ECOMODE
- Separate control of hopper wings
- Track scraper
- 2 proportionally controlled and reversible wear-resistant cast augers; screw blades separately replaceable
- 2 independent and reversible scraper belts; high-wear resistant plates
- Rubber track pads
- Front window

Screed

- L.C.S. Screed relief and traction increase system
- Screed temperature control
- Mechanical screed lock
- Crown adjustment
- Side control of auger/scraper belts
- Electronic side-mounted screed controls

Other

- Tools
- LED work lights
- 14 kVA generator
- Socket 230 volt

Optional Equipment

Operator compartment

- Lateral weather protection for the platform
- Asphalt steam extraction
- Comfort seat
- Seat heating

Tractor

- Central lubrication system
- Optional paint finish
- Biologically degradable hydraulic oil
- Hydraulic hopper front flap
- Dampened push rollers
- Light assist with coming & leaving home
- Hydr. auger height adjustment

Screed

- Hydraulic crown adjustment
- Heated side plates
- MAGMALIFE aluminum heating plates
- S 340-5 extensions:
 - 300 mm
 - 500 mm
- Reduction shoes
- Hydraulic side plates

Levelling systems

- Height and cross-slope sensing by means of ultrasonic

Other

- Fleetmanagement BOMAG TELEMATIC
- Moon-light balloon
- Additional LED work lights
- Measurement sensors for tractor and screed



PRE89129010

200825 Sa

BOMAG
Hellerwald
D-56154 Boppard
Postfach 5162
D-56149 Boppard
Tel. (0)6742 - 1000
Fax (0)6742 - 3090

